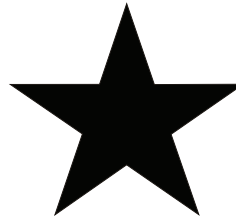
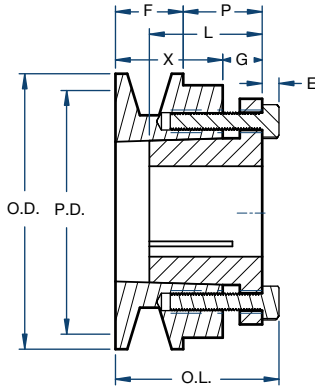


Sheaves

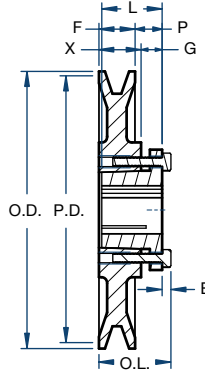
AKH STYLE



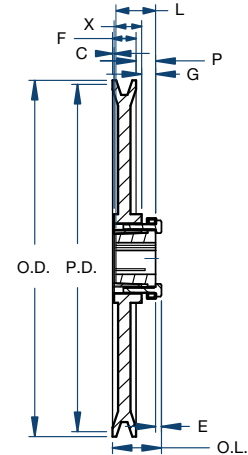
BLACKSTAR®



Type 1



Type 2



Type 3

Part No.	Diameter (in)			Type	Dimensions (in)								Approx. Weight (lbs)
	Outside	Pitch 4L/A	Pitch 5L/B		O.L.	F	L	P	C	X	G	E	
AK30H	3.05	2.80	2.46	1	1-13/16	3/4	1-1/4	7/8	—	1-3/16	7/16	3/16	1.1
AK32H	3.25	3.00	2.66	1	1-13/16	3/4	1-1/4	7/8	—	1-3/16	7/16	3/16	1.2
AK34H	3.45	3.20	2.86	2	1-1/2	3/4	1-1/4	9/16	—	7/8	7/16	3/16	1.0
AK39H	3.75	3.50	3.16	2	1-1/2	3/4	1-1/4	9/16	—	7/8	7/16	3/16	1.4
AK41H	3.95	3.70	3.36	2	1-1/2	3/4	1-1/4	9/16	—	7/8	7/16	3/16	1.6
AK44H	4.25	4.00	3.66	2	1-1/2	3/4	1-1/4	9/16	—	7/8	7/16	3/16	1.9
AK46H	4.45	4.20	3.86	2	1-1/2	3/4	1-1/4	9/16	—	7/8	7/16	3/16	1.9
AK49H	4.75	4.50	4.16	2	1-1/2	3/4	1-1/4	9/16	—	7/8	7/16	3/16	2.1
AK51H	4.95	4.70	4.36	2	1-1/2	3/4	1-1/4	9/16	—	7/8	7/16	3/16	2.3
AK54H	5.25	5.00	4.66	2	1-1/2	3/4	1-1/4	9/16	—	7/8	7/16	3/16	2.0
AK56H	5.45	5.20	4.86	2	1-1/2	3/4	1-1/4	9/16	—	7/8	7/16	3/16	2.3
AK59H	5.75	5.50	5.16	2	1-1/2	3/4	1-1/4	9/16	—	7/8	7/16	3/16	2.4
AK61H	5.95	5.70	5.36	3	1-1/2	3/4	1-1/4	9/16	0	7/8	7/16	3/16	2.5
AK64H	6.25	6.00	5.66	3	1-1/2	3/4	1-1/4	9/16	0	7/8	7/16	3/16	2.7
AK66H	6.45	6.20	5.86	3	1-1/2	3/4	1-1/4	9/16	0	7/8	7/16	3/16	2.8
AK69H	6.75	6.50	6.16	3	1-1/2	3/4	1-1/4	9/16	0	7/8	7/16	3/16	3.2
AK71H	6.95	6.70	6.36	3	1-1/2	3/4	1-1/4	9/16	0	7/8	7/16	3/16	3.1
AK74H	7.25	7.00	6.66	3	1-1/2	3/4	1-1/4	9/16	0	7/8	7/16	3/16	3.3
AK79H	7.75	7.50	7.16	3	1-1/2	3/4	1-1/4	9/16	0	7/8	7/16	3/16	3.5
AK84H	8.25	8.00	7.66	3	1-1/2	3/4	1-1/4	9/16	0	7/8	7/16	3/16	3.6
AK89H	8.75	8.50	8.16	3	1-1/2	3/4	1-1/4	9/16	0	7/8	7/16	3/16	4.0
AK94H	9.25	9.00	8.66	3	1-1/2	3/4	1-1/4	9/16	0	7/8	7/16	3/16	4.4
AK99H	9.75	9.50	9.16	3	1-1/2	3/4	1-1/4	9/16	0	7/8	7/16	3/16	4.7
AK104H	10.25	10.00	9.66	3	1-1/2	3/4	1-1/4	9/16	0	7/8	7/16	3/16	4.5
AK109H	10.75	10.50	10.16	3	1-1/2	3/4	1-1/4	9/16	0	7/8	7/16	3/16	5.1
AK114	11.25	11.00	10.66	3	1-1/2	3/4	1-1/4	9/16	0	7/8	7/16	3/16	5.5
AK124H	12.25	12.00	11.66	3	1-1/2	3/4	1-1/4	9/16	0	7/8	7/16	3/16	6.1
AK134H	13.25	13.00	12.66	3	1-1/2	3/4	1-1/4	9/16	0	7/8	7/16	3/16	7.4
AK144H	14.25	14.00	13.66	3	1-1/2	3/4	1-1/4	9/16	0	7/8	7/16	3/16	7.8
AK154H	15.25	15.00	14.66	3	1-1/2	3/4	1-1/4	9/16	0	7/8	7/16	3/16	8.8
AK184H	18.25	18.00	17.66	3	1-1/2	3/4	1-1/4	9/16	0	7/8	7/16	3/16	11.3